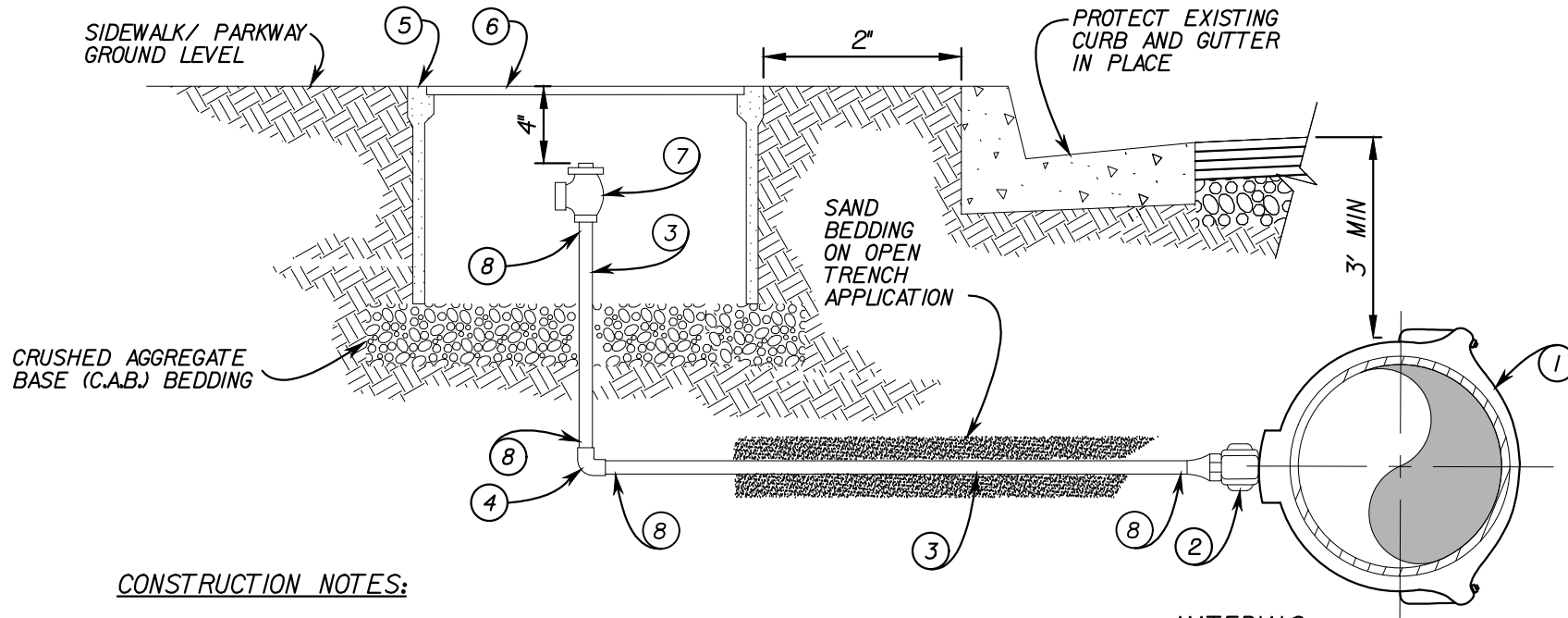


NOT TO SCALE




**CONSTRUCTION NOTES:**

1. SERVICE SADDLE SHALL NOT BE INSTALLED WITHIN 2" OF VALVE, COUPLING, JOINT OR FITTING. TAPPED COUPLINGS ARE NOT PERMITTED.
2. INSTALL CORPORATION STOP IN OPEN POSITION.
3. THE WATER SERVICE SHALL EXTEND PERPENDICULAR TO THE CENTERLINE OF THE STREET FROM THE WATERMAIN TO THE ANGLE STOP.
4. METER BOXES SHALL BE SET 2" FROM THE BACK OF CURB.
5. METER BOX AND LID SHALL BE FURNISHED BY CONTRACTOR.
6. INSTALL #12 GAUGE TRACER WIRE ALONG WITH ALL PEX TUBING.

**MATERIALS**

ITEM NO.	SIZE & DESCRIPTION	MANUFACTURER	SPEC. NO.
1	DOUBLE STRAP BRONZE SERVICE SADDLE 2" F.I.P. OUTLET	JONES MUELLER	J-979 EQUAL
2	2" BRONZE CORPORATION VALVE BALL TYPE M.J.P. x CTS	JONES MUELLER	E-1935SG H-15028N
3	2 "PURPLE" PEX TUBING	MUNICIPEX	SDR9 (CTS)
4	2" BRASS CTS X CTS ELBOW		
5	METER BOX	J & R	4 1/2 CONCRETE
6	METER LID	DFW	DFW486-4 (PURPLE MARKED RWD)
7	2" ANGLE METER VALVE CTS X METER FLG	JONES MUELLER	E-1975WSG EQUAL
8	2" CTS PIPE INSERT	JONES MUELLER	J-2808 M528705

**2-INCH RECYCLED BLOW-OFF ASSEMBLY**

APPROVED BY:  
  
 TOM COLEMAN  
 GENERAL MANAGER  
 07/07/2023  
 DATE



DRAWING #  
**W-3R**  
 REVISION DATE:  
 JULY  
 2023

ROWLAND WATER DISTRICT

2" RECYCLED BLOW-OFF ASSEMBLY