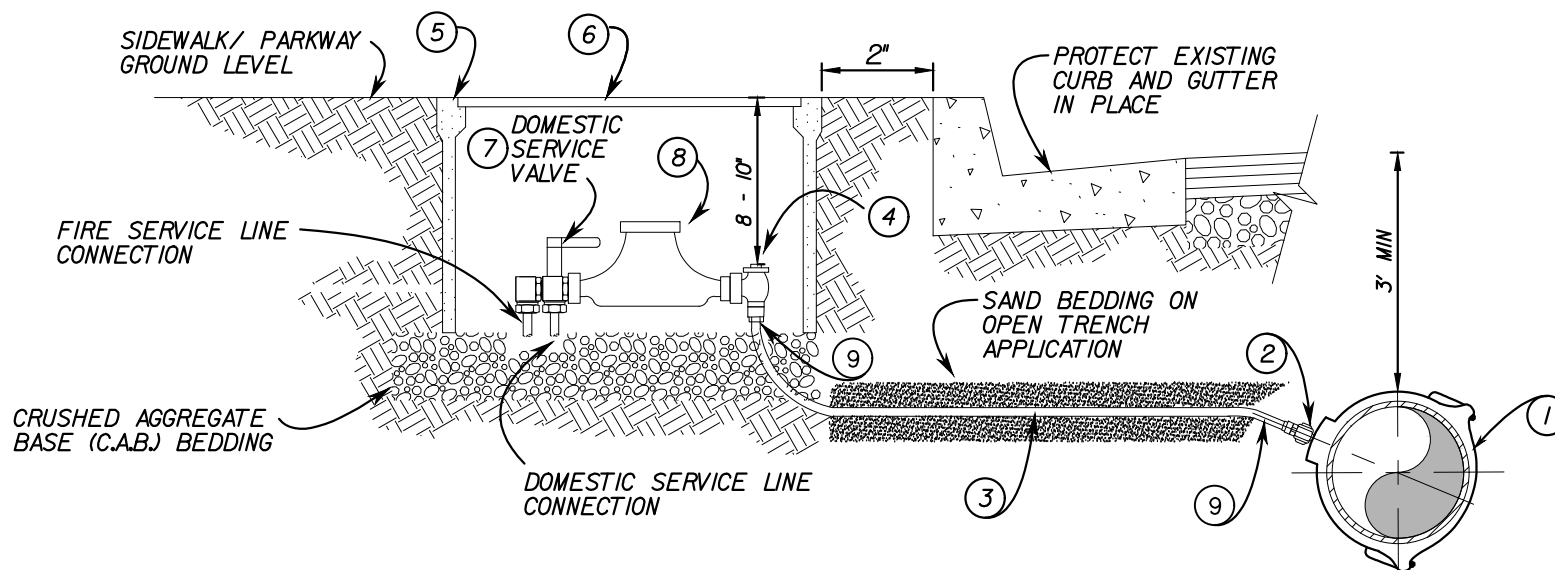


NOT TO SCALE




CONSTRUCTION NOTES:

1. SERVICE SADDLE SHALL NOT BE INSTALLED WITHIN 24" OF VALVE, COUPLING, JOINT OR FITTING. TAPPED COUPLINGS ARE NOT PERMITTED.
2. INSTALL CORPORATION STOP IN OPEN POSITION.
3. THE WATER SERVICE SHALL EXTEND PERPENDICULAR TO THE CENTERLINE OF THE STREET FROM THE WATERMAIN TO THE ANGLE STOP.
4. METER BOXES SHALL BE SET 2" FROM THE BACK OF CURB
5. CUSTOMER SHUT OFF VALVE ONLY ON DOMESTIC SERVICE.
6. METER BOX AND LID SHALL BE FURNISHED BY CONTRACTOR.
7. INSTALL #12 GAUGE TRACER WIRE ALONG WITH ALL PEX TUBING.

MATERIALS

ITEM NO.	SIZE & DESCRIPTION	MANUFACTURER	SPEC NO.
①	DOUBLE STRAP BRONZE SERVICE SADDLE 1" F.J.P. OUTLET	JONES MUELLER	J-979 BR2B
②	1" BRONZE CORPORATION VALVE BALL TYPE M.J.P. x C.T.S.	JONES MUELLER	E-1935SG H-15028N
③	1" "BLUE" PEX TUBING	MUNICIPEX	SDR9 (CTS)
④	1" ANGLE METER VALVE CTS X METER SWIVEL	JONES MUELLER	E-1963WSG EQUAL
⑤	METER BOX	J & R	4 1/2 CONCRETE
⑥	METER LID	DFW	DFW486-4 (GRAY MARKED RWD)
⑦	FIRE SERVICE CONNECTION METER-SWIVEL X F.J.P.	JONES	E-2220
⑧	WATER METER (SIZE VARIES)	SUPPLIED BY DISTRICT	
⑨	1" CTS PIPE INSERT	JONES MUELLER	J-2808 M528705

1-INCH WATER SERVICE WITH FIRE SYSTEM SUPPLY

APPROVED BY:

 TOM COLEMAN
 GENERAL MANAGER
 07/07/2023
 DATE



DRAWING #
W-1A
 REVISION DATE:
 JULY
 2023

ROWLAND WATER DISTRICT

1" WATER SERVICE W/FIRE SYSTEM SUPPLY DETAIL

1
 OF 1